

Datasheet

Excel Life™

Switch Mechanism, Electronic Push Button, 5A

CAT. NO. EM883WE, EM883UG, EM883BL, EM883MW, EM883MB



Cat. No.	EM883WE	EM883MW	EM883UG	EM883BL	EM883MB
Colour	White (WE)	Matt White (MW)	Urban Grey (UG)	Black (BL)	Matt Black (MB)
Description	Excel Life Switch Mechanism, Electronic Push Button, 5A				
Supply voltage	230 - 240 V a.c. 50 Hz				
Current rating	5 A				
Dimensions (W x H x D)	21 x 21 x 41 mm				
Compliance	AS/NZS 3100				

Excel Life™ Switch Mechanism, Electronic Push Button, 5A



CAT. NO. EM883WE, EM883UG, EM883BL, EM883MW, EM883MB

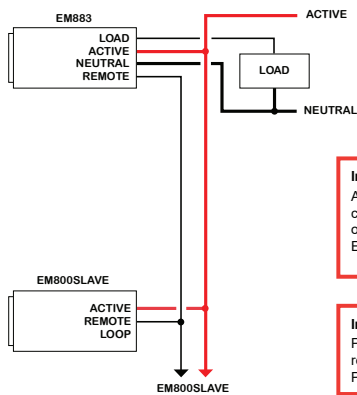


- Soft touch electronic switch - 3 wire.
- Programmable LED indicator (red or blue)
- LED indicator can be off or dimmed when lighting is not activated.
- 2 way switching available with slave mechanism (EM800SLAVE)
- 5A load capacity.

Single product	
Cat. No.	Barcode
EM883WE	9321001400240
EM883UG	9321001411437
EM883BL	9321001452638
EM883MW	9321001498261
EM883MB	9321001498469

Inner box (QTY 10)		
Cat. No.	Barcode	Dimensions
EM883WE	9321001402688	124 x 160 x 80mm
EM883UG	9321001412090	
EM883BL	9321001453338	
EM883MW	9321001498681	
EM883MB	9321001498889	

Outer box (QTY 120)		
Cat. No.	Barcode	Dimensions
EM883WE	9321001405122	260 x 340 x 260mm
EM883UG	9321001412755	
EM883BL	9321001454052	
EM883MW	9321001499107	
EM883MB	9321001499305	



Important:
An unlimited number of EM800SLAVE can be connected to an EM883. However, the total length of the remote wire used to interconnect all of the EM800SLAVE should not exceed 50 metres.

Important:
Power factor correction capacitors must be either removed or placed on the line side of the Electronic Push Switch.

HPM Legrand - AUS
1300 369 777
www.legrand.com.au
ABN 31 000 102 661

HPM Legrand - NZ
0800 476 009
www.legrand.co.nz

Refer to your group buying office, HPM Legrand Sales Representative or HPM Legrand Sales Office for pricing.

HPML0636_B

11/2020